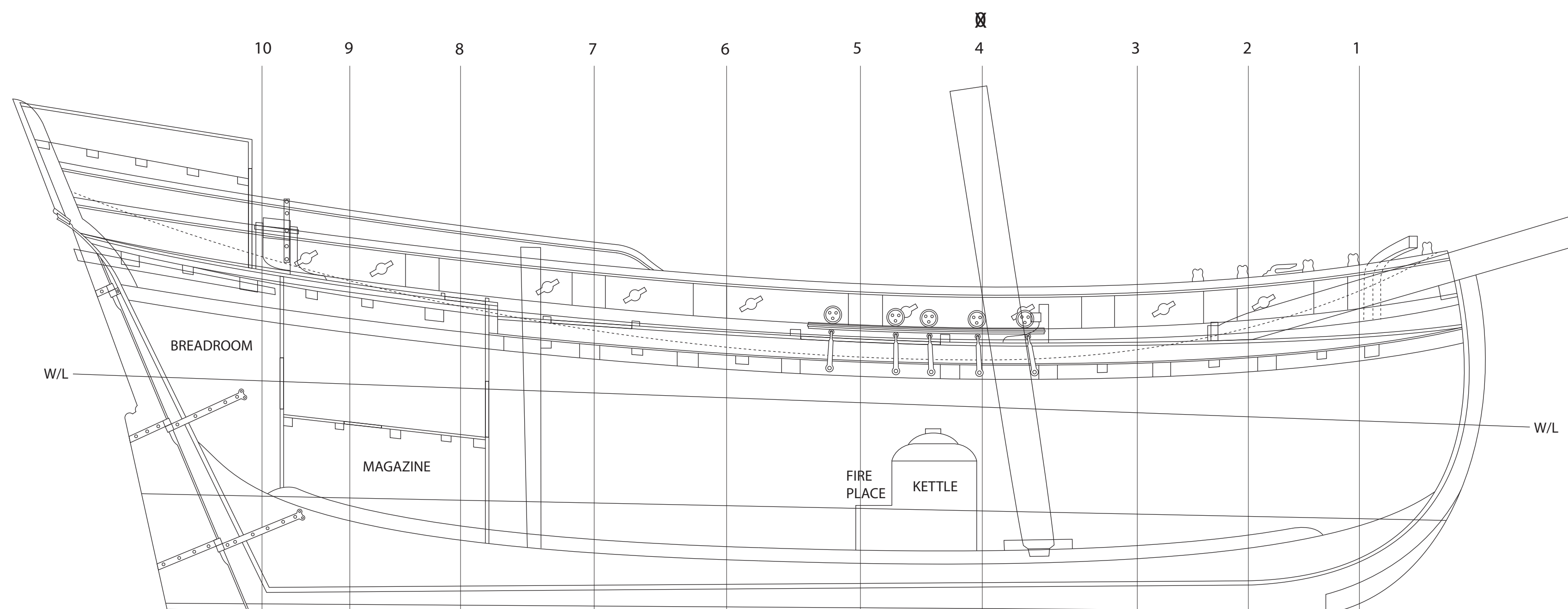
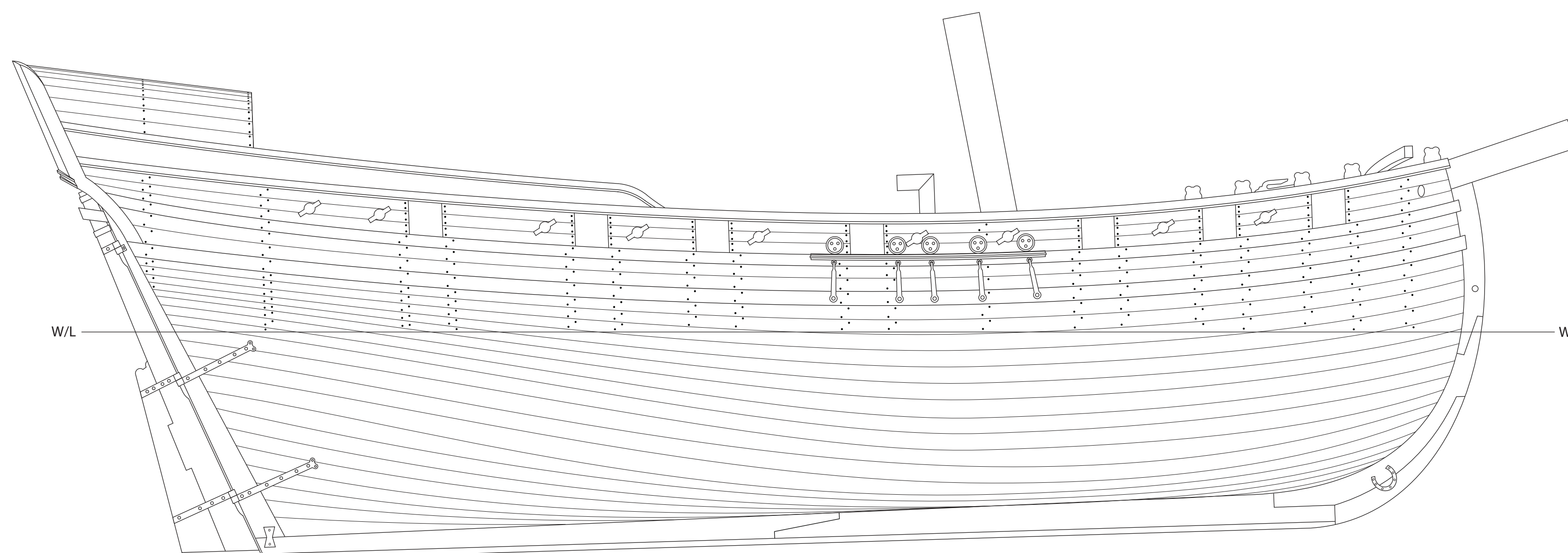
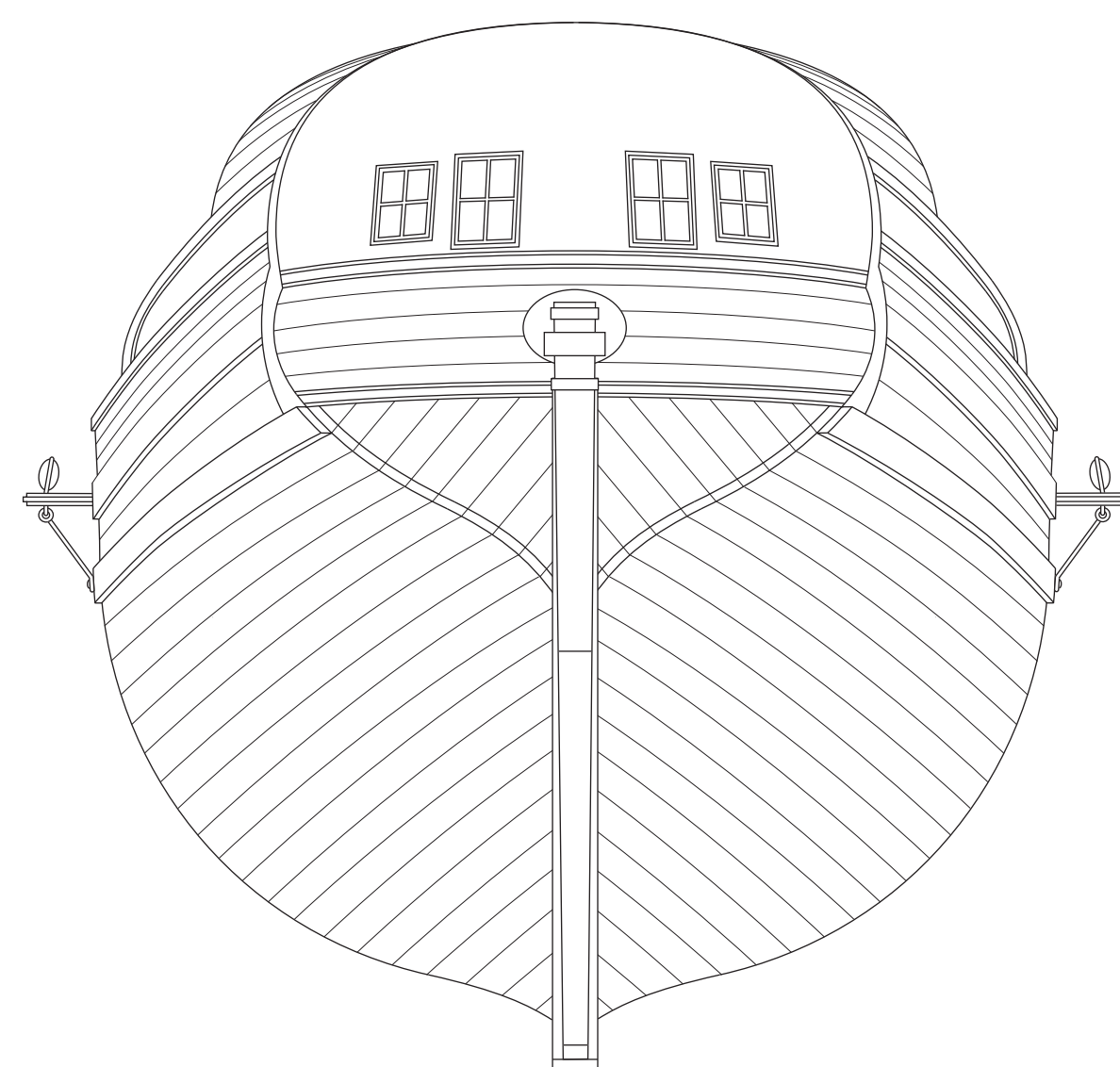
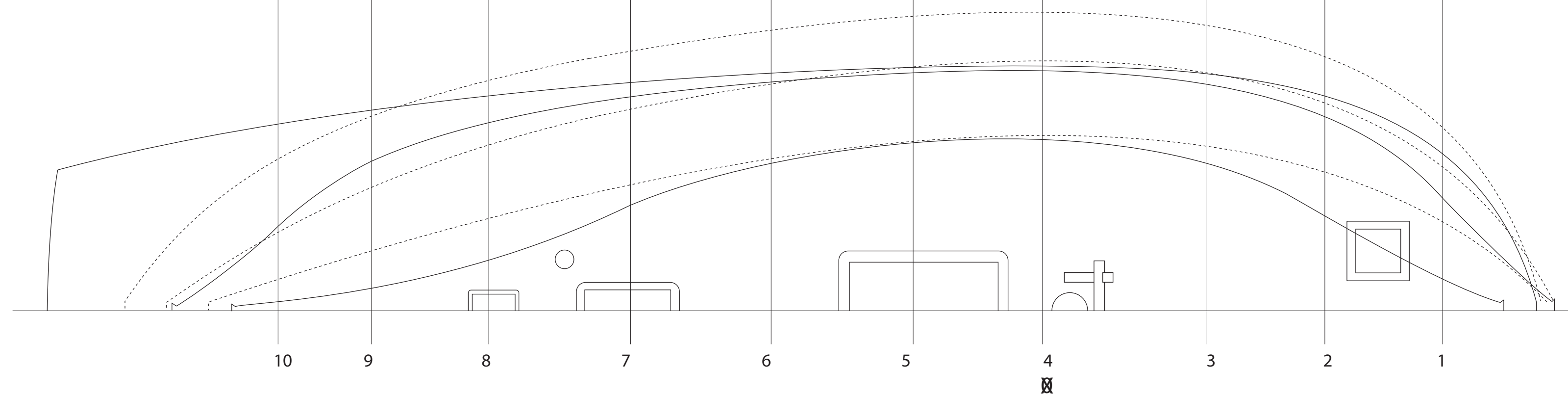


SCALE IN FEET



ORIGINAL PLAN TRACING



NOTES

1. Plan showing the body plan with stern board outline, profile with some inboard detail, and longitudinal half-breadth with some deck detail, for Mediator, a purchased 10 gun single-masted Sloop. Signed by Peirson Lock [Master Shipwright, Portsmouth Dockyard, 1745-1755(died)]

Date: NMM, Progress Book, volume 2, folio 524, states that the 'Mediator' was in Portsmouth Dockyard between May and June 1745.

REF: <http://collections.rmg.co.uk/collections/objects/86159.html>

2. The model is designed using a traditional POB (plank on bulkhead) method of construction. For hull planking techniques, refer to the following partial list of references:

Planking the Built-Up Ship Model by Jim Roberts

Simple Hull Planking for Beginners by Dirk De Bakker & Greg Brooker

The Ship Model Builder's Assistant by Charles G. Davis

Ship Modeling from Stem to Stern by Milton Roth

Online Model Shipbuilding Forums:
www.modelshipbuilder.com
www.modelshipworld.com

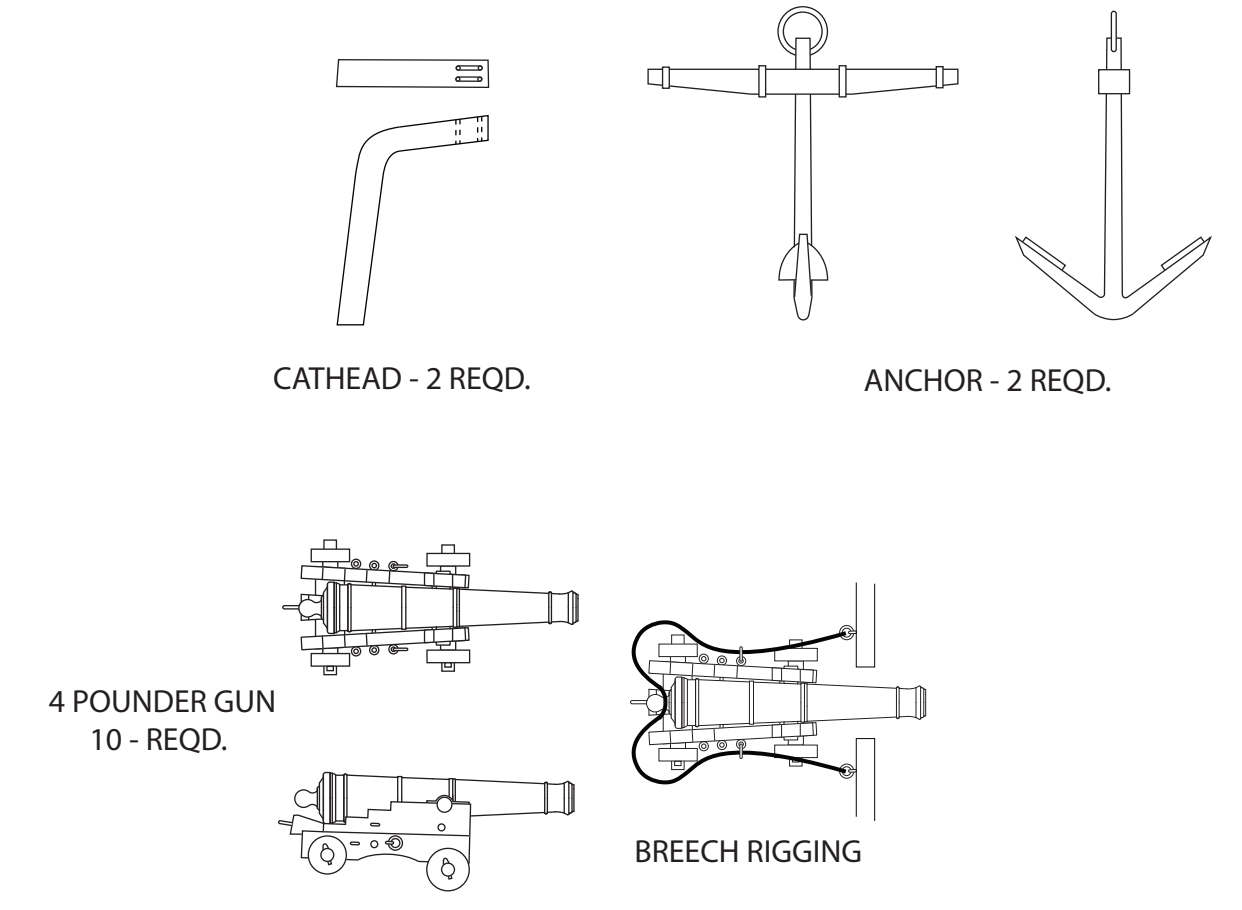
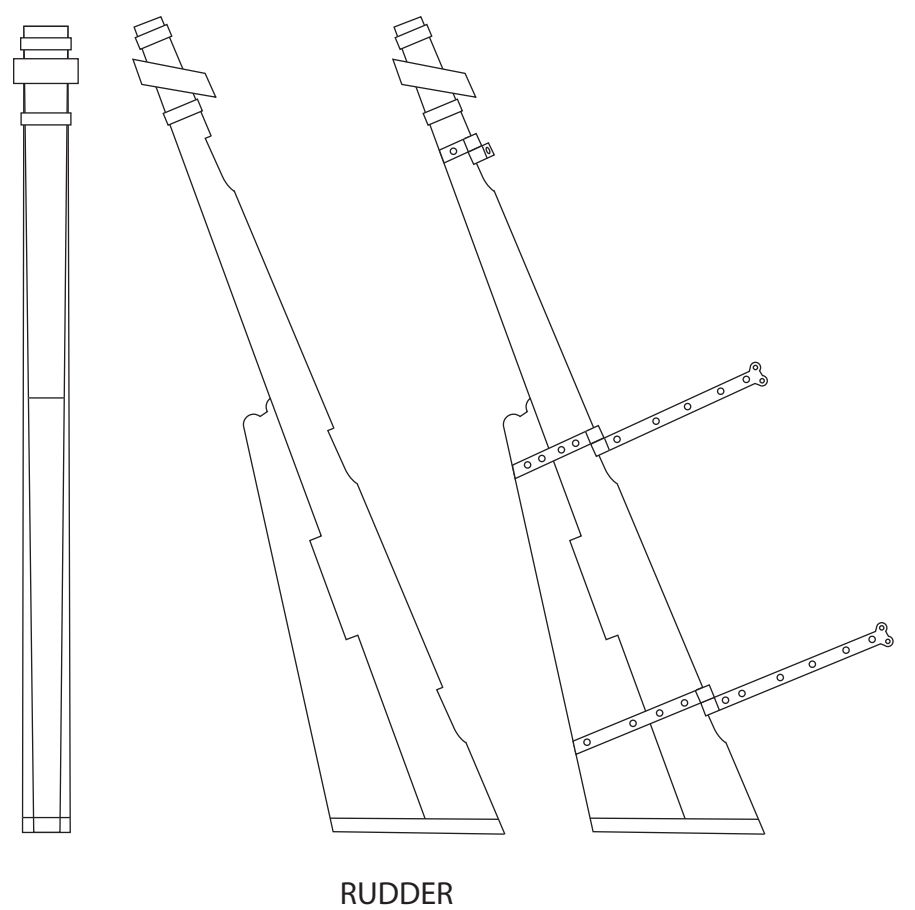
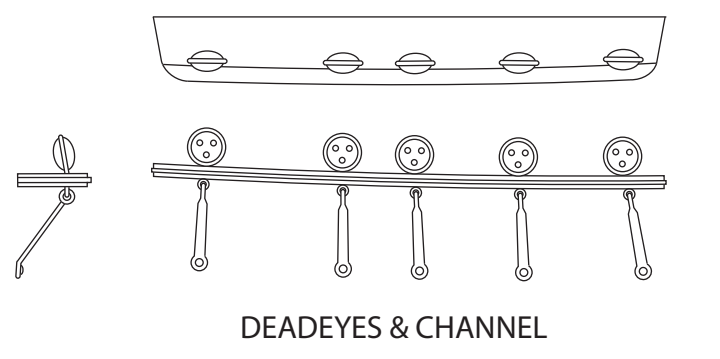
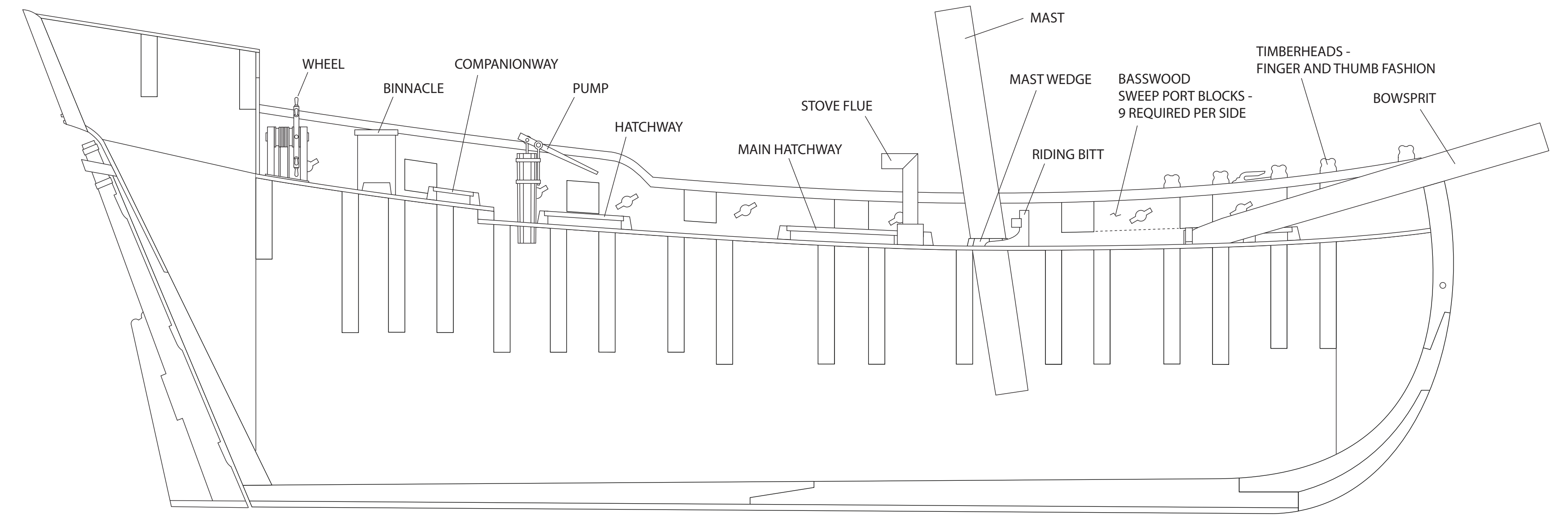
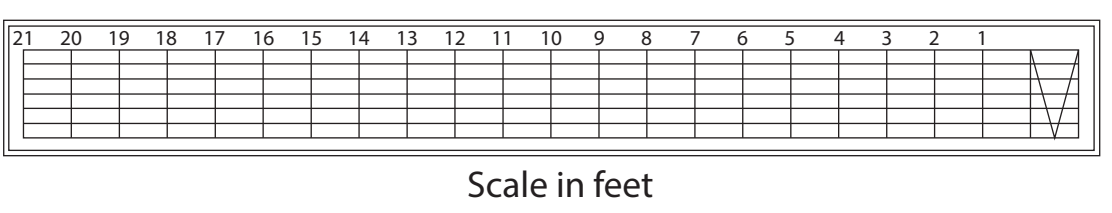
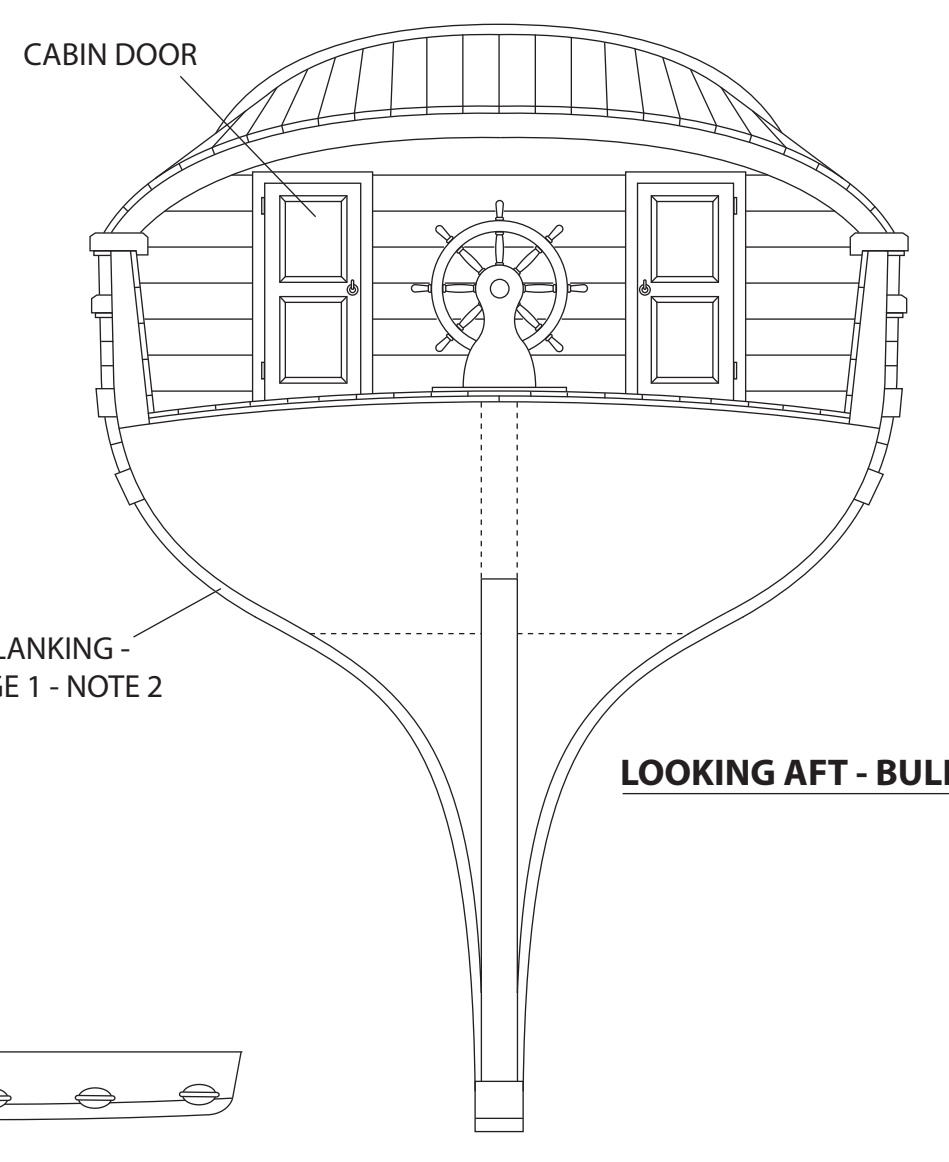
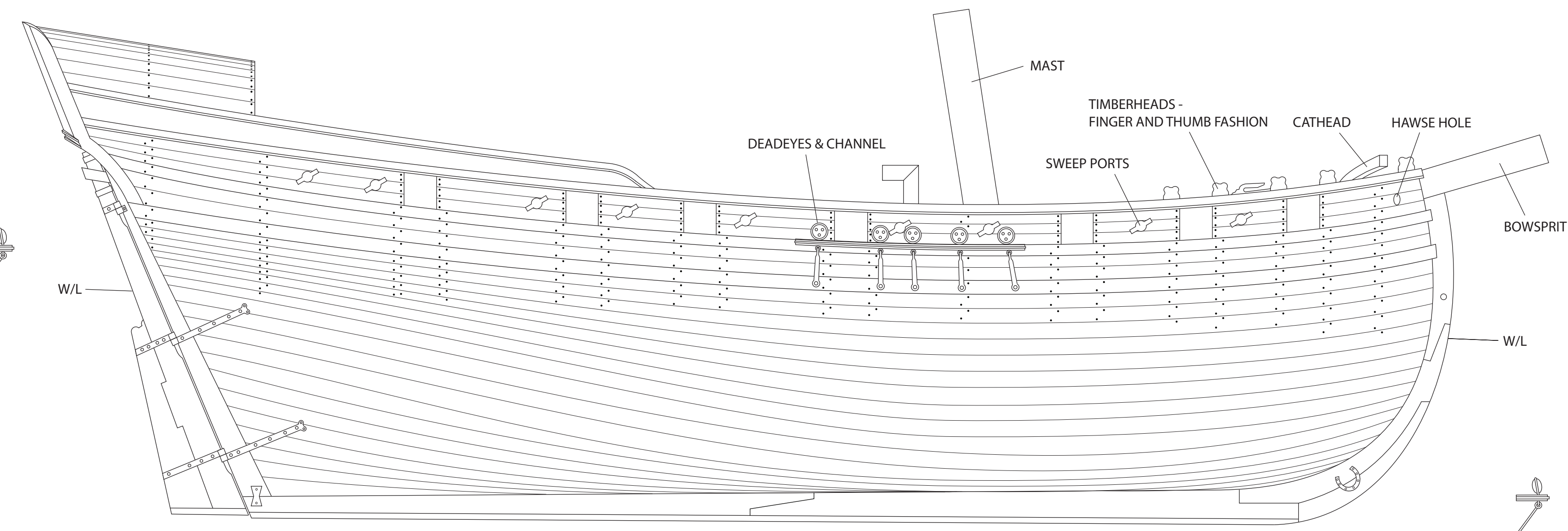
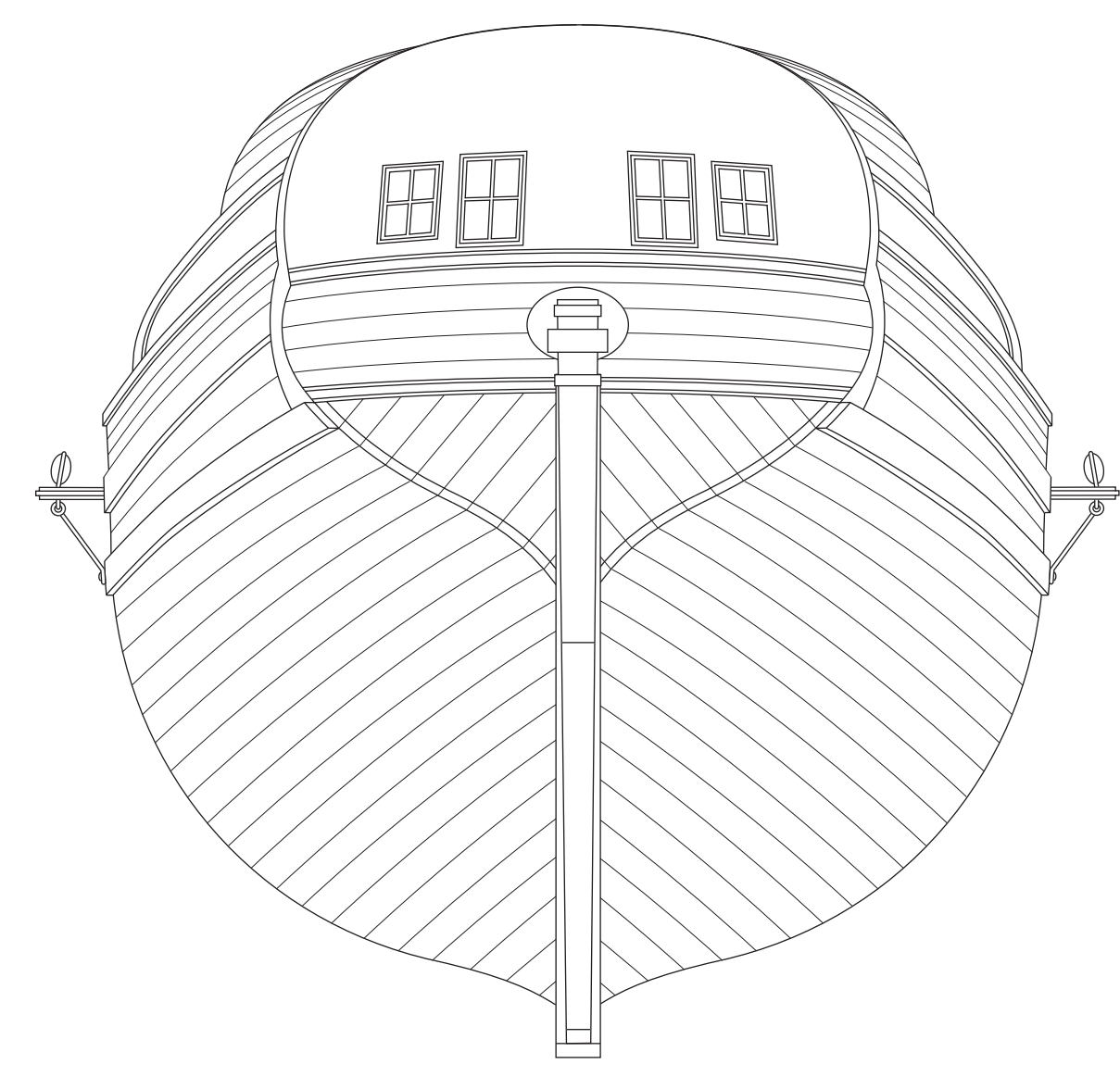
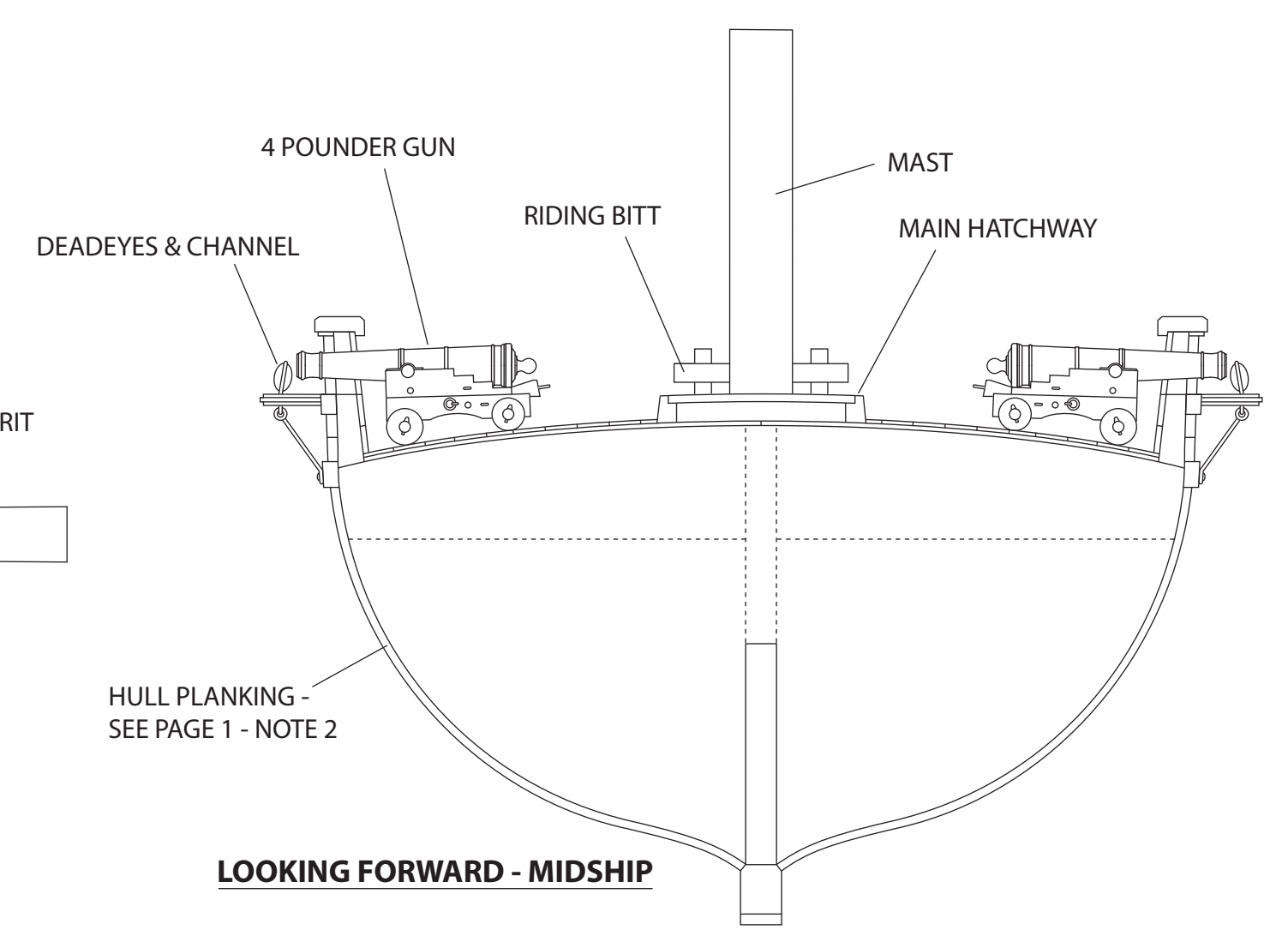
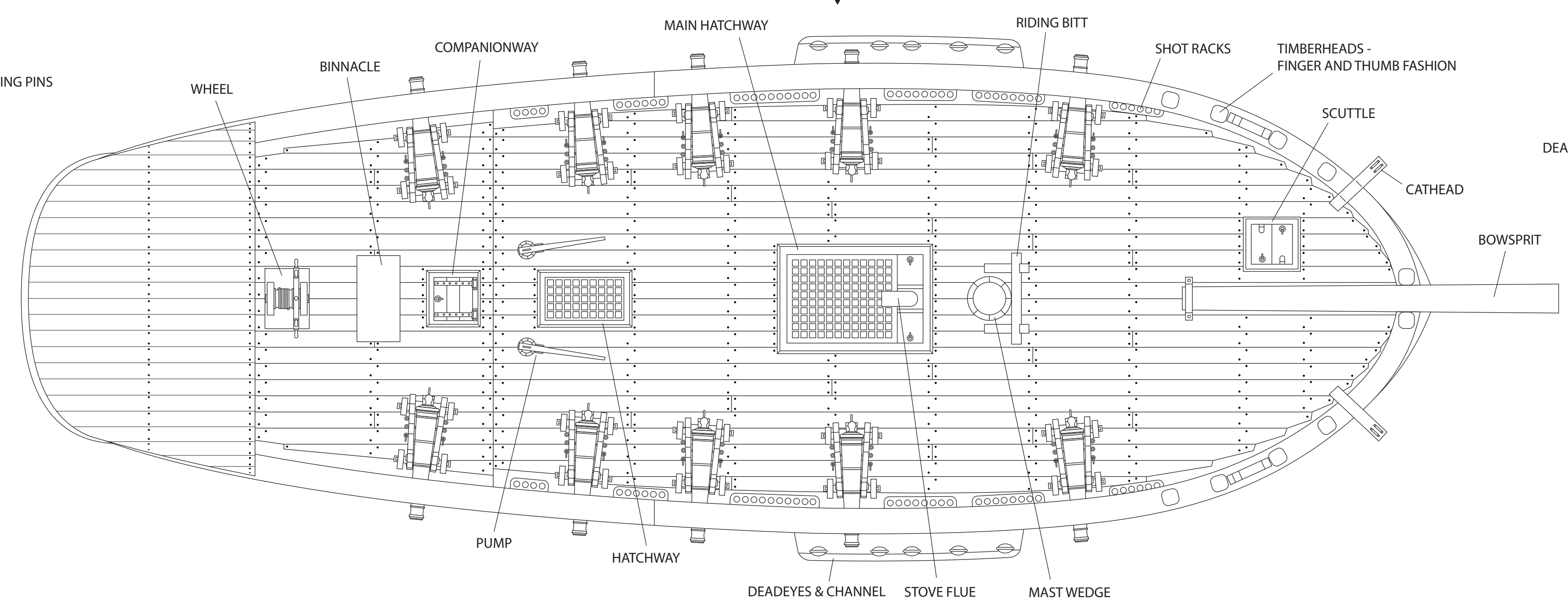
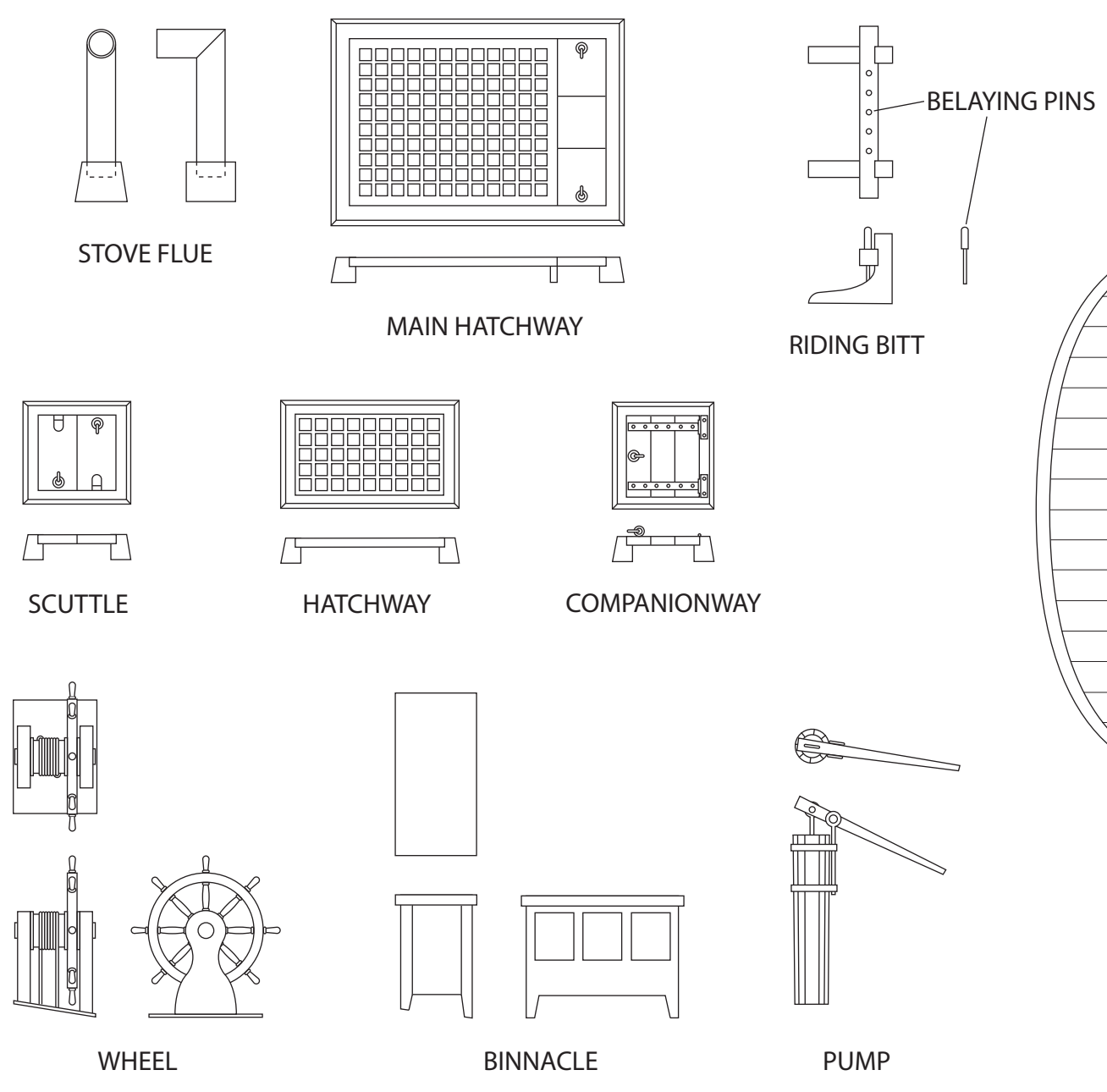


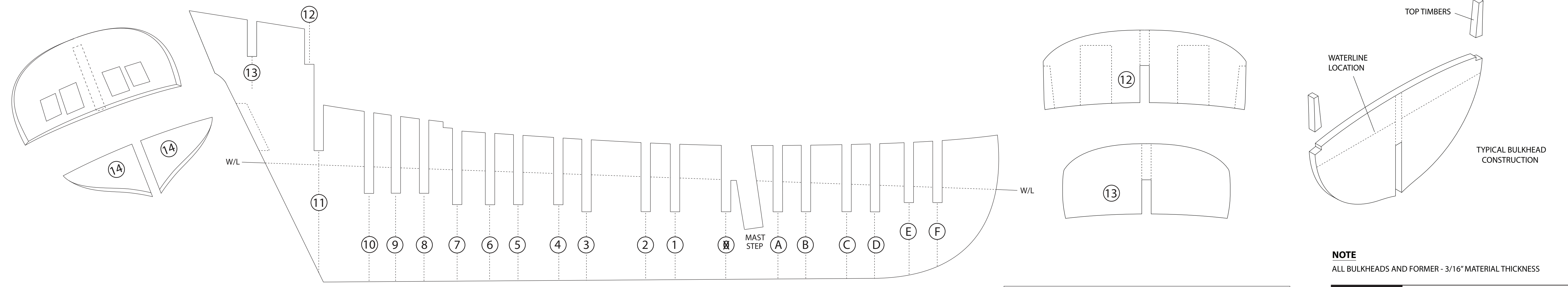
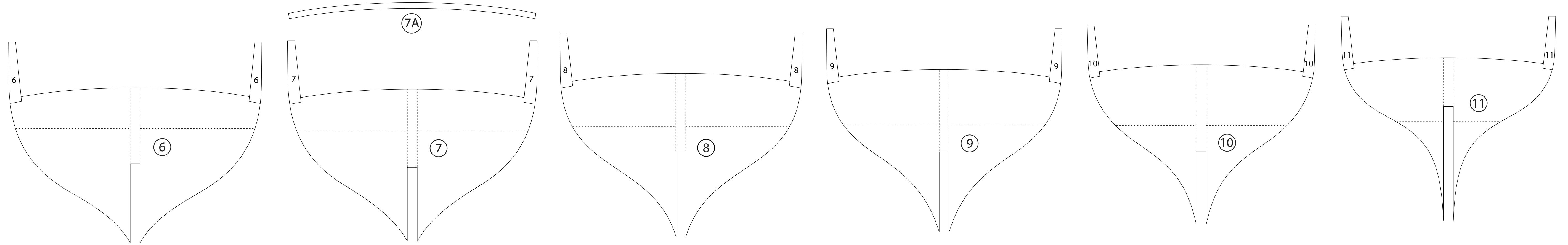
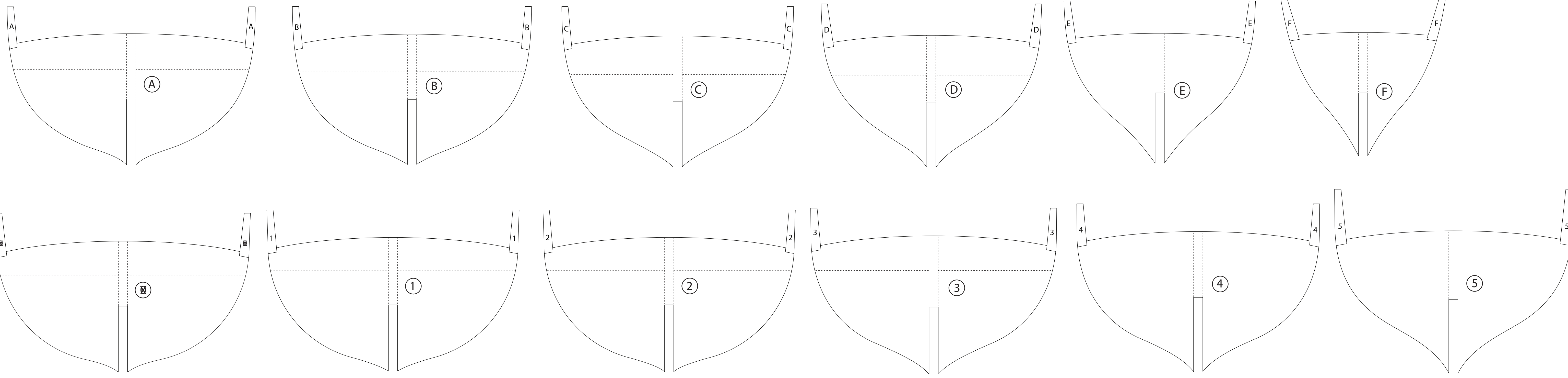
10-gun Sloop Mediator

TITLE Original Plan Tracing & General Views

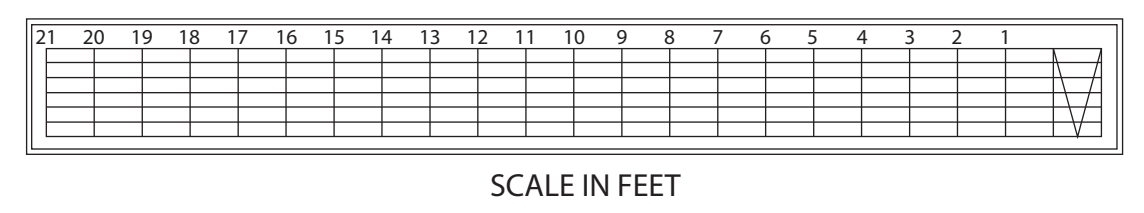
DRAWN BY JEFF STAUDT SCALE 1:48 SHEET 1 of 7

© Copyright 2014 modelshipbuilder.com All rights reserved.



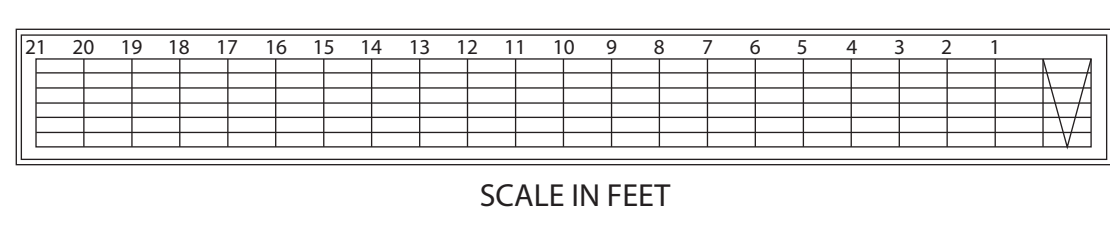
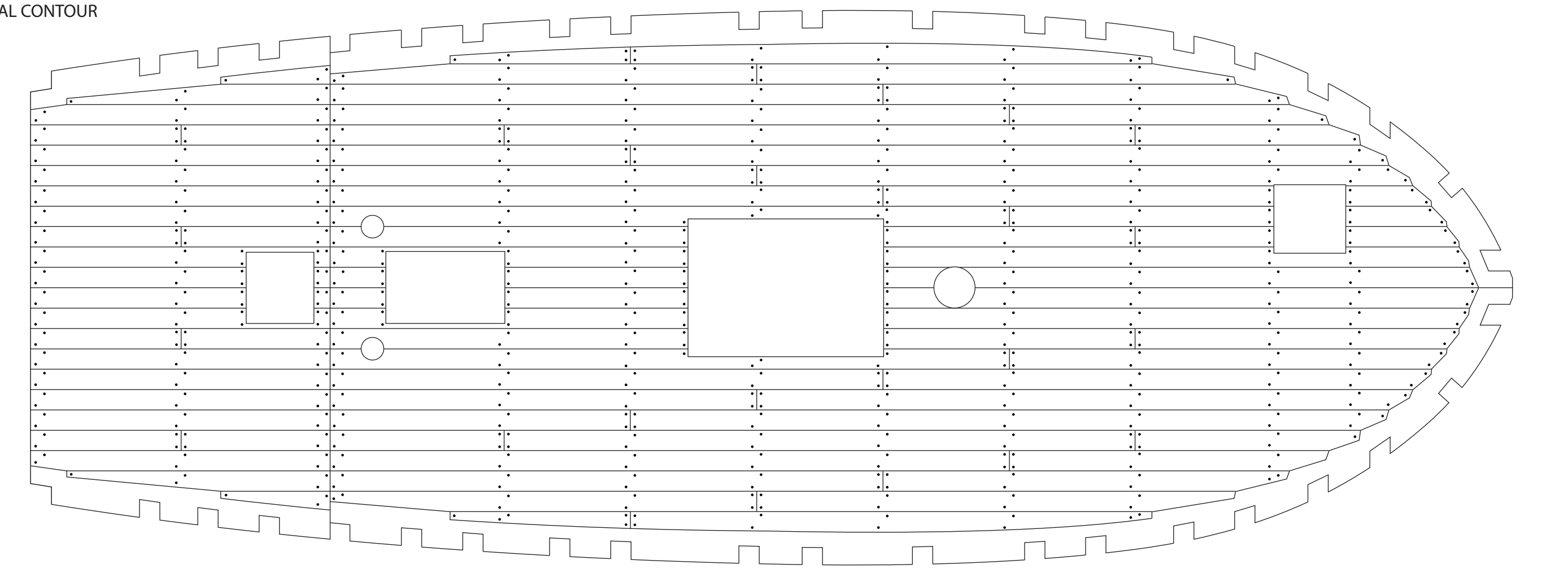
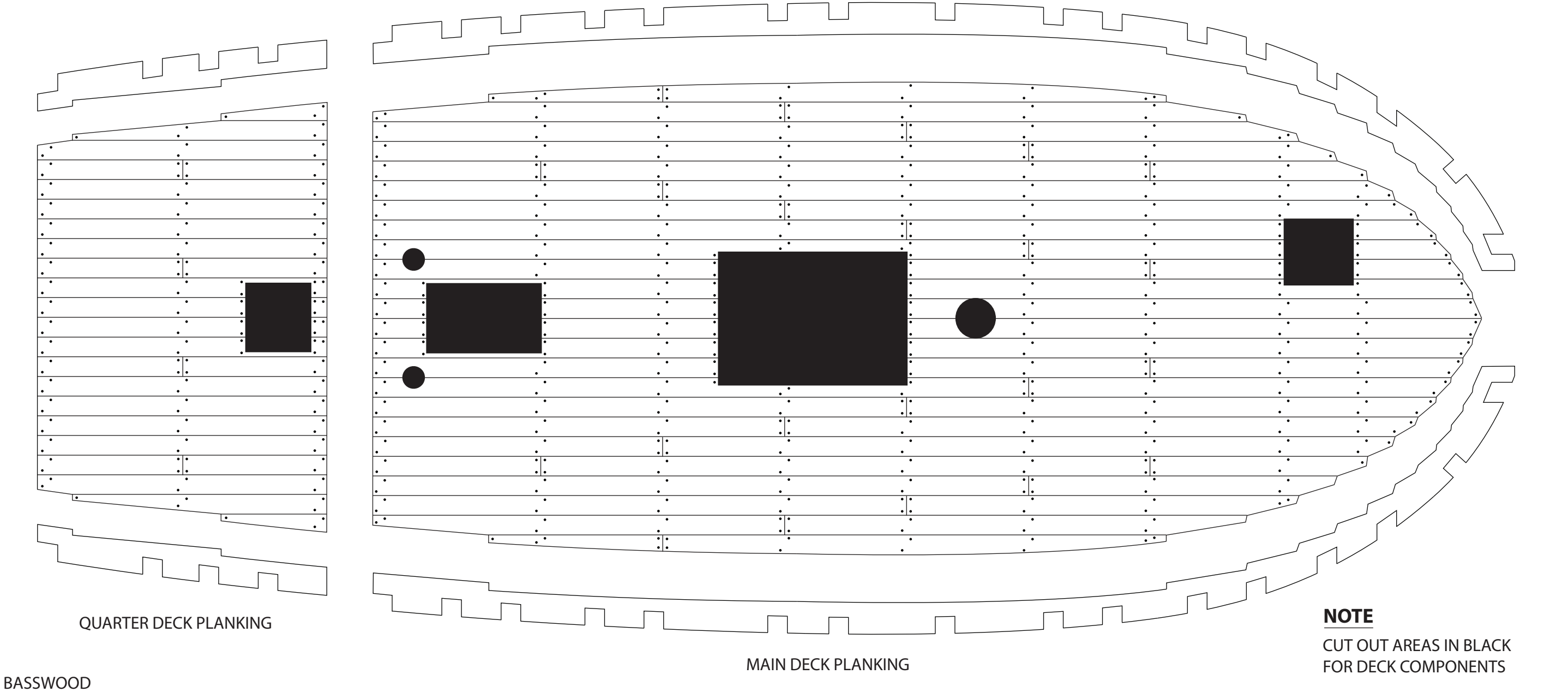
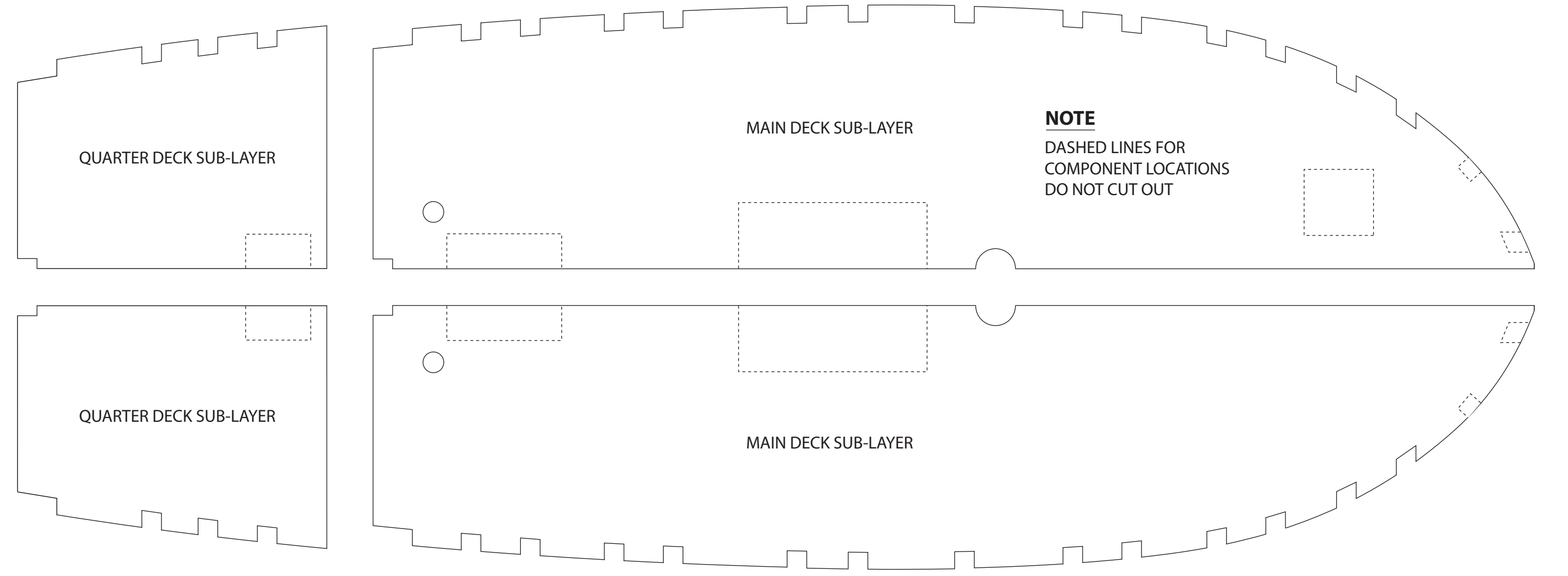
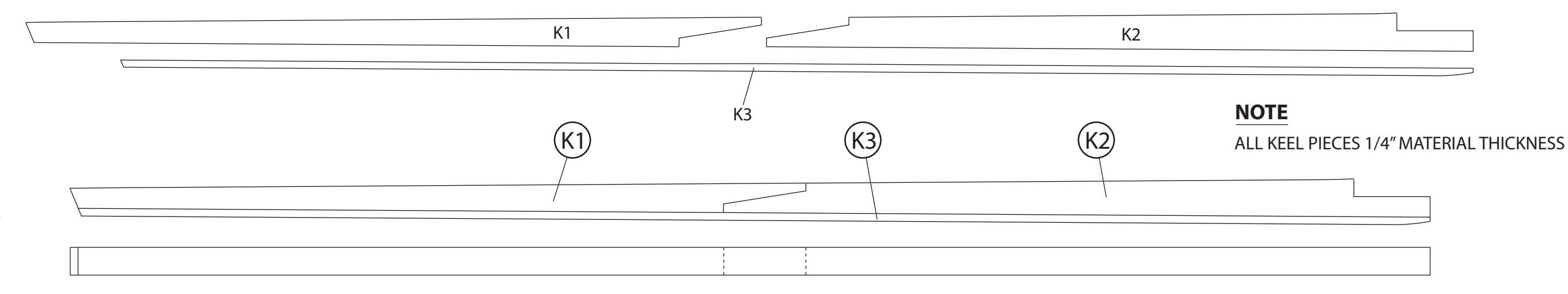
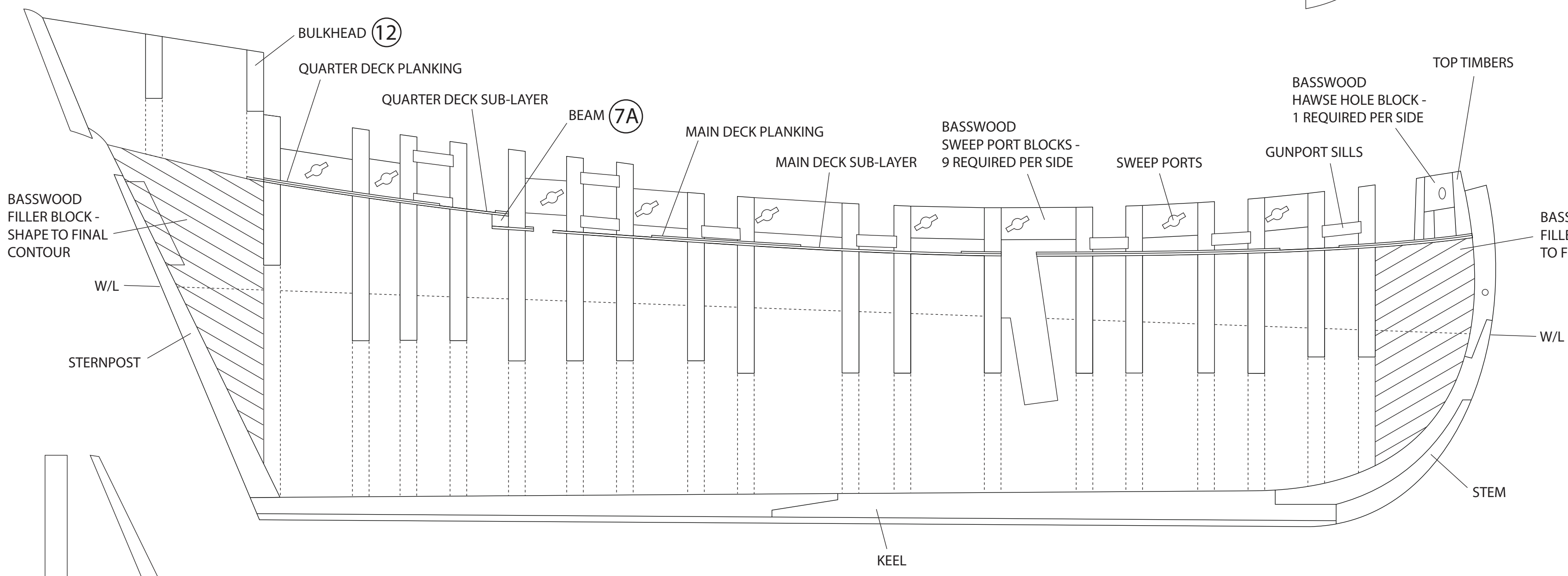
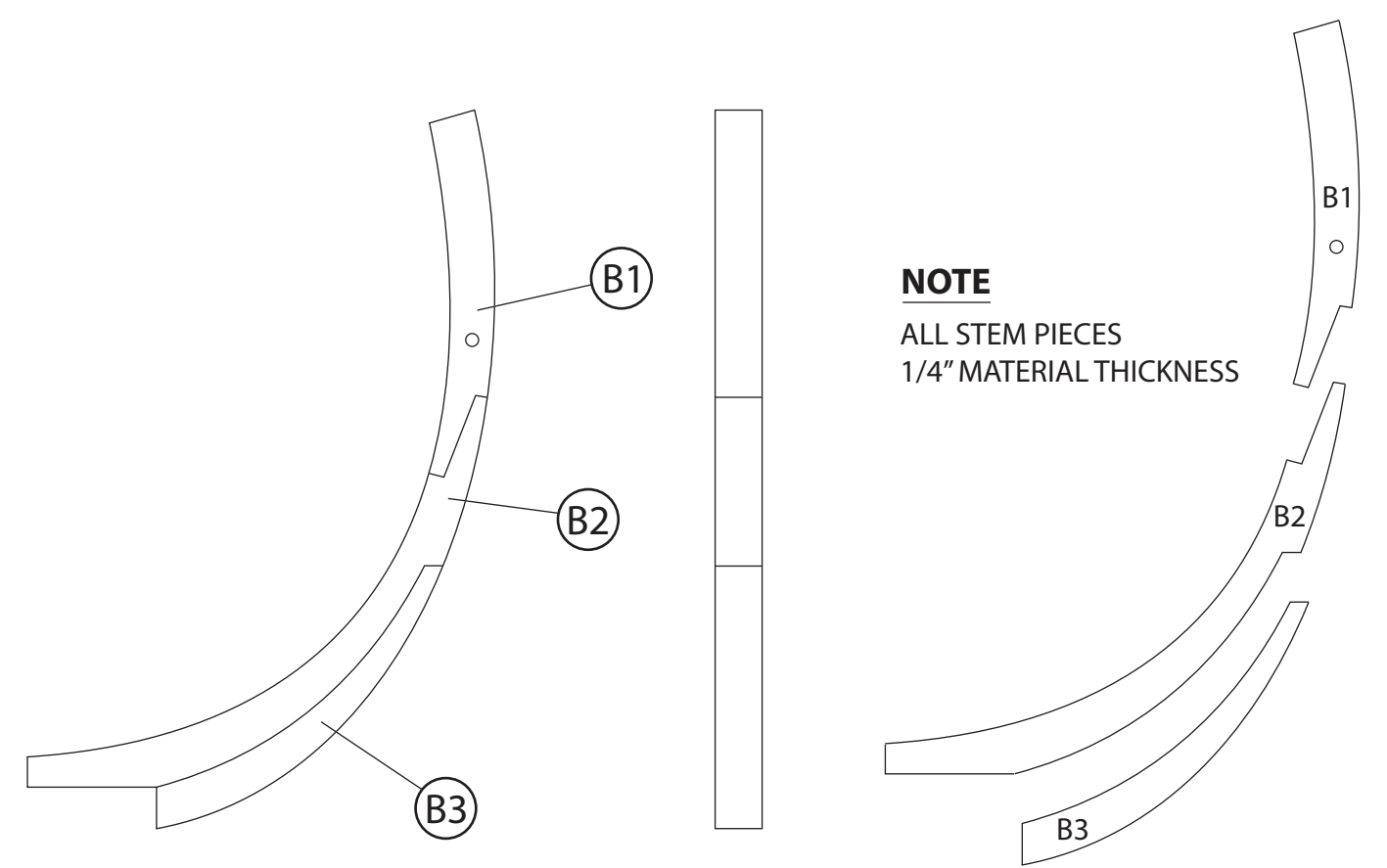
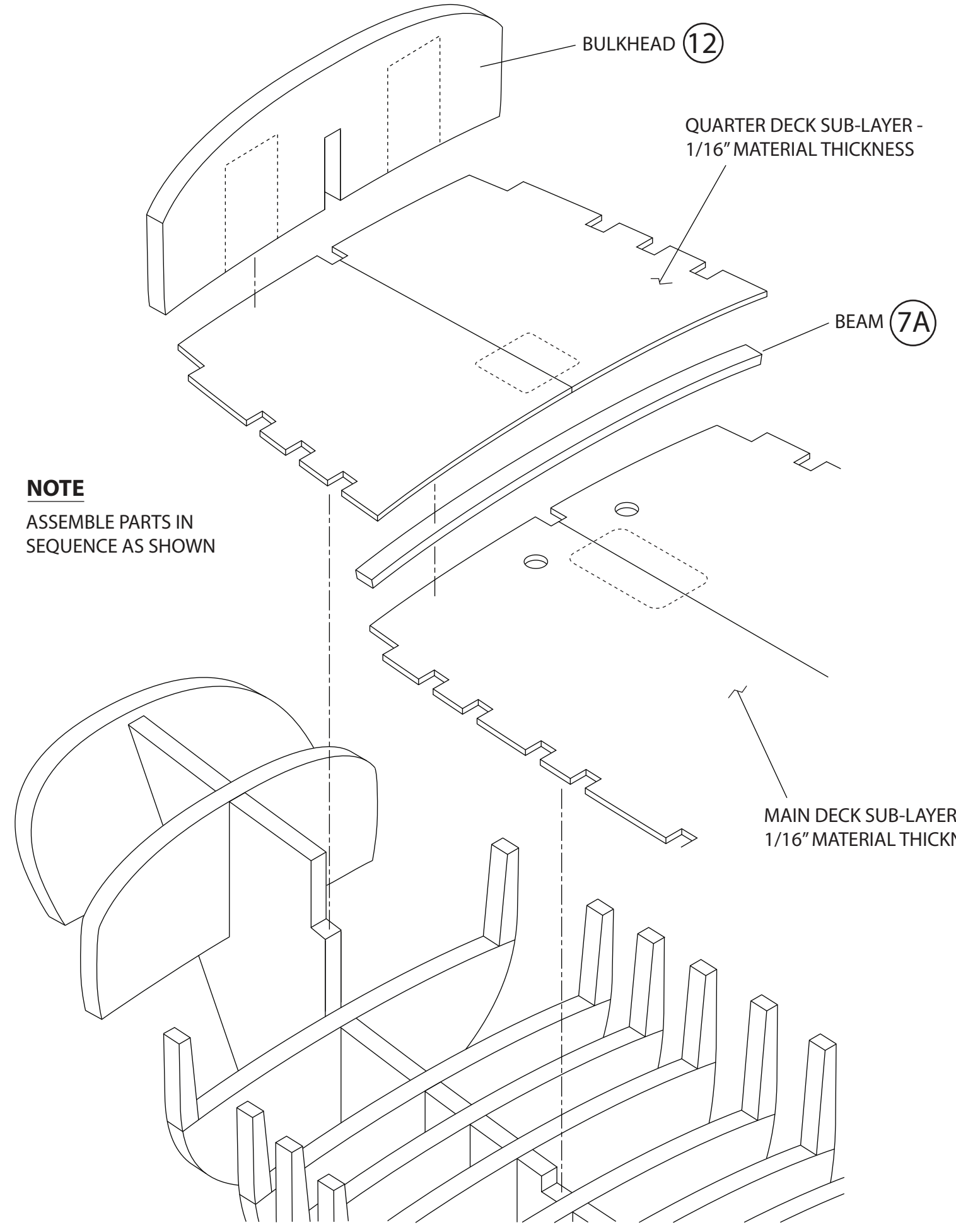


FORMER

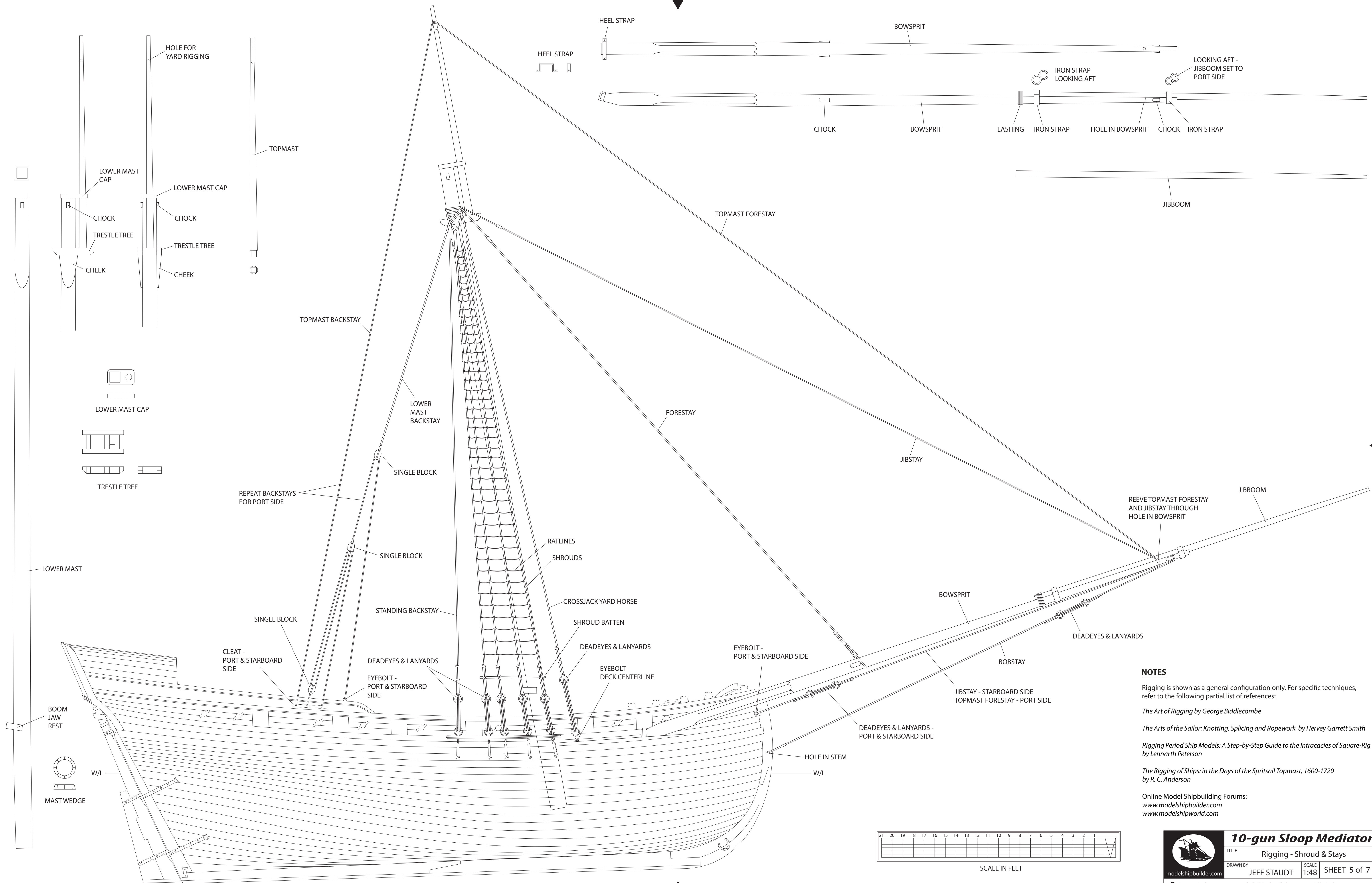


NOTE
ALL BULKHEADS AND FORMER - 3/16" MATERIAL THICKNESS

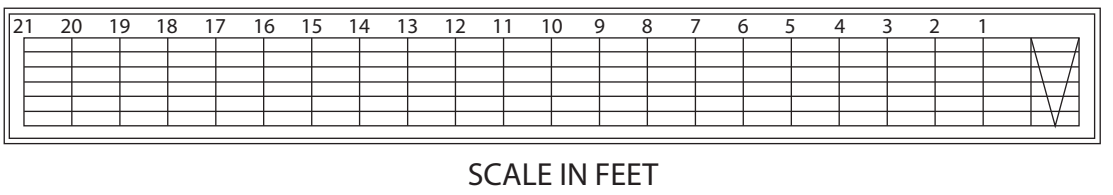
	10-gun Sloop Mediator		
	Bulkheads and Former		
DRAWN BY	SCALE	SHEET 3 of 7	
JEFF STAUDT	1:48		
© Copyright 2014 modelshipbuilder.com All rights reserved.			



STERNPOST - 1/4" MATERIAL THICKNESS



NOTES
 Rigging is shown as a general configuration only. For specific techniques, refer to the following partial list of references:
The Art of Rigging by George Biddlecombe
The Arts of the Sailor: Knotting, Splicing and Ropework by Hervey Garrett Smith
Rigging Period Ship Models: A Step-by-Step Guide to the Intricacies of Square-Rig by Lennarth Peterson
The Rigging of Ships: in the Days of the Spritsail Topmast, 1600-1720 by R. C. Anderson
 Online Model Shipbuilding Forums:
www.modelshipbuilder.com
www.modelshipworld.com



10-gun Sloop Mediator
 TITLE: Rigging - Shroud & Stays
 DRAWN BY: JEFF STAUDT
 SCALE: 1:48
 SHEET 5 of 7
 © Copyright 2014 modelshipbuilder.com All rights reserved.

