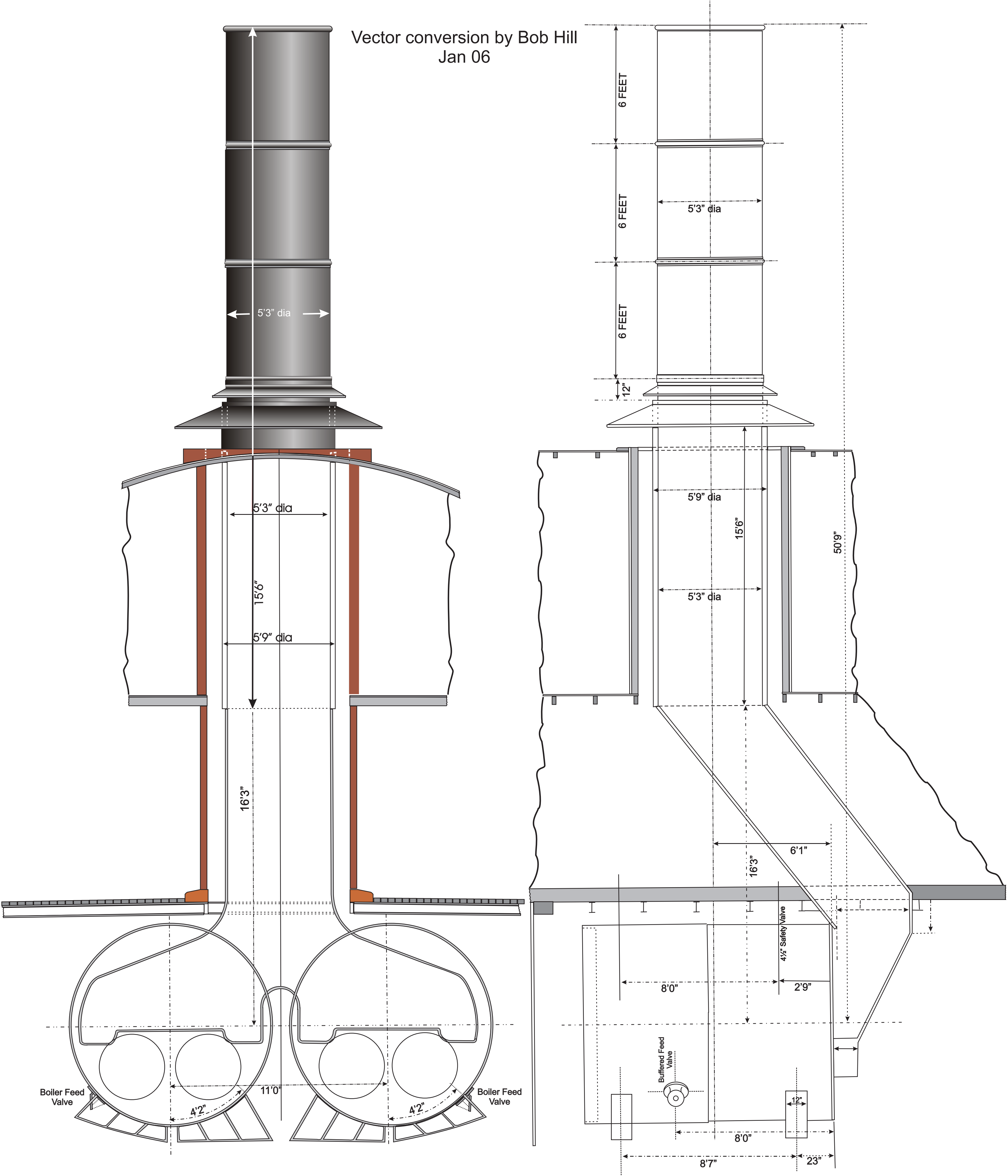


Converted to Vector from a Raster scan by Bob Hill January 2006

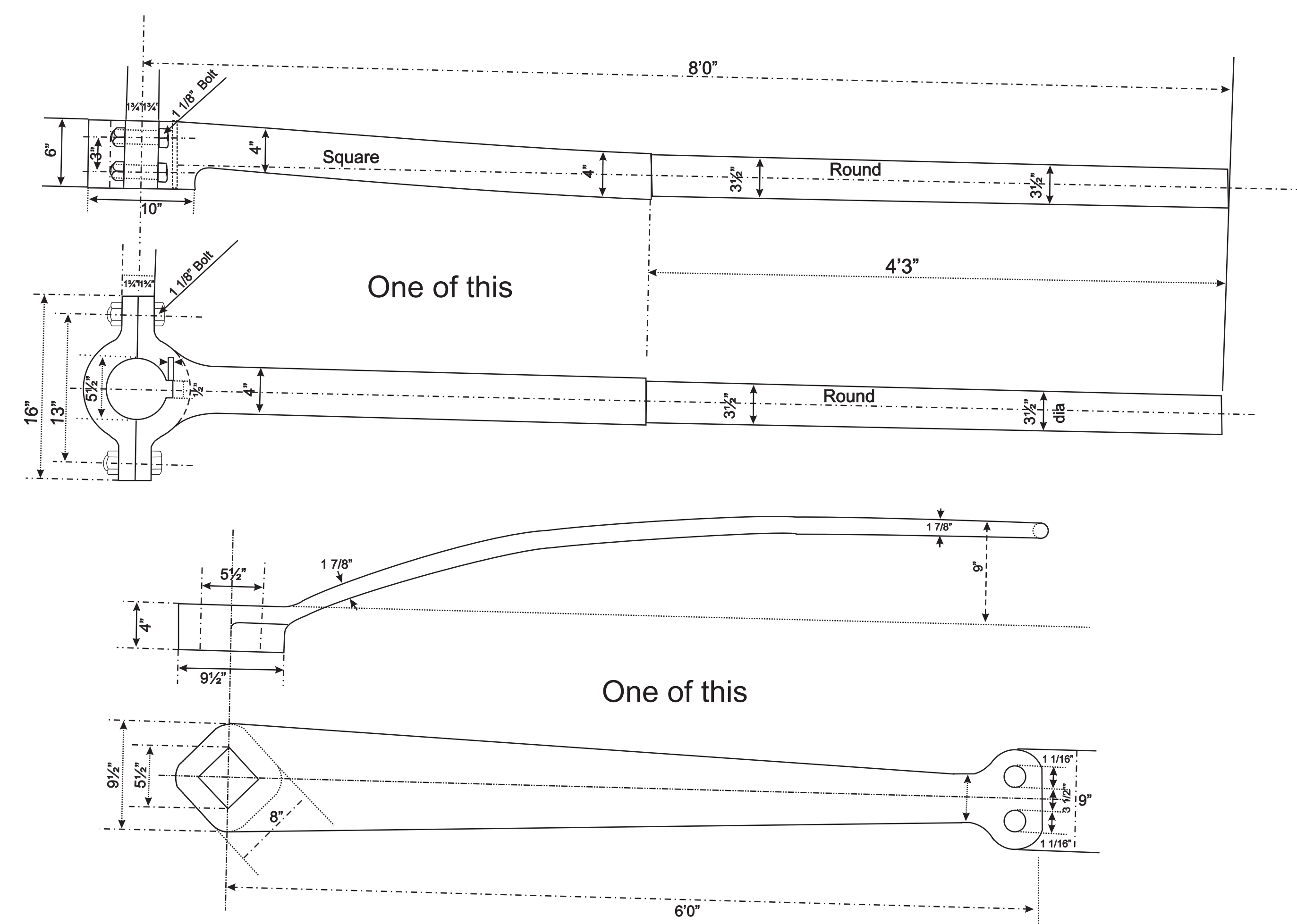
SMOKE STACK & BREECHING

Scale 3/8" = 1 Foot



Converted to Vector from a Raster scan by Bob Hill January 2006

TILLERS
Scale 1 1/2" = 1 Foot



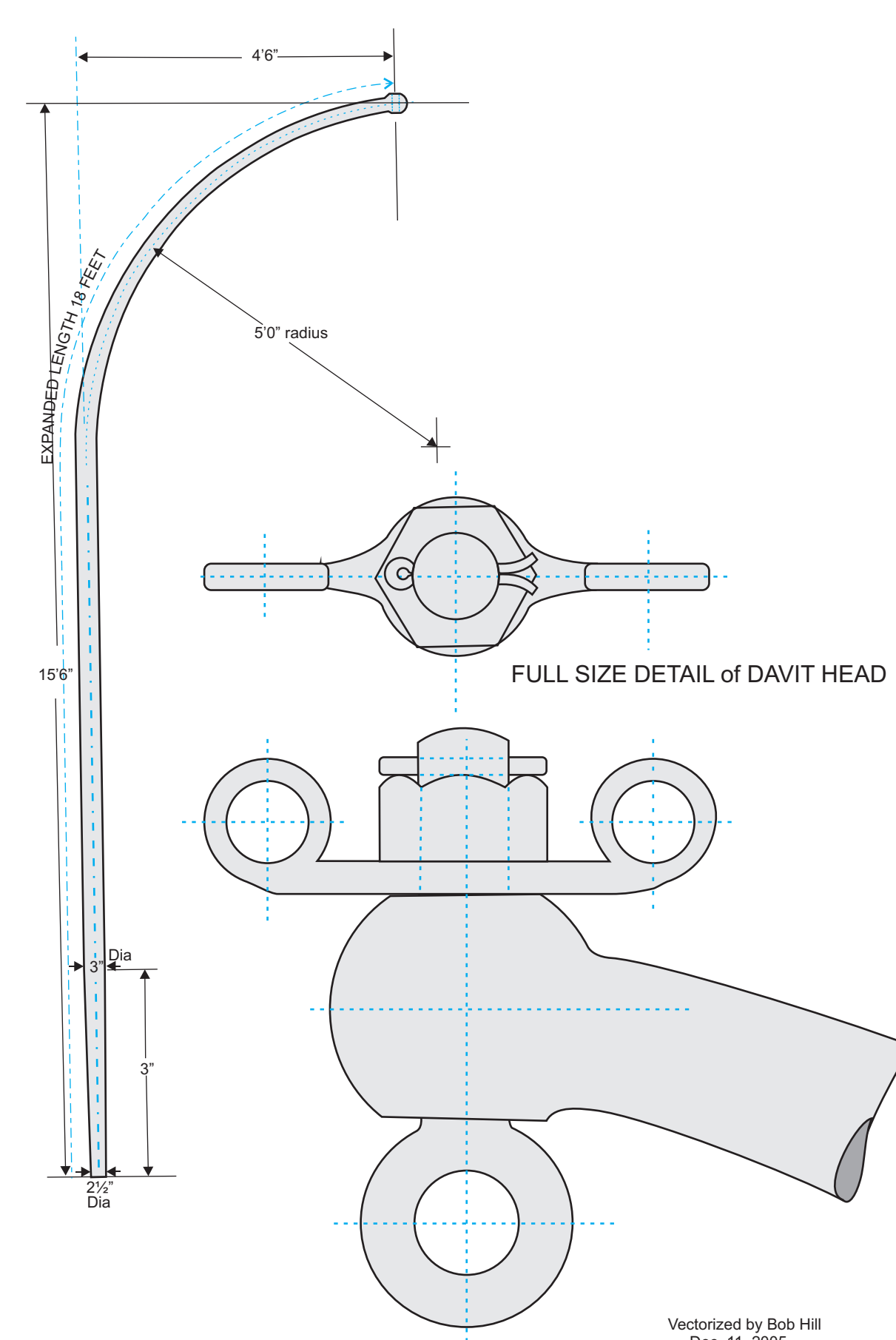
Converted to Vector from a Raster scan by Bob Hill January 2006

BOAT DAVIT

SCALE 1" = 1'

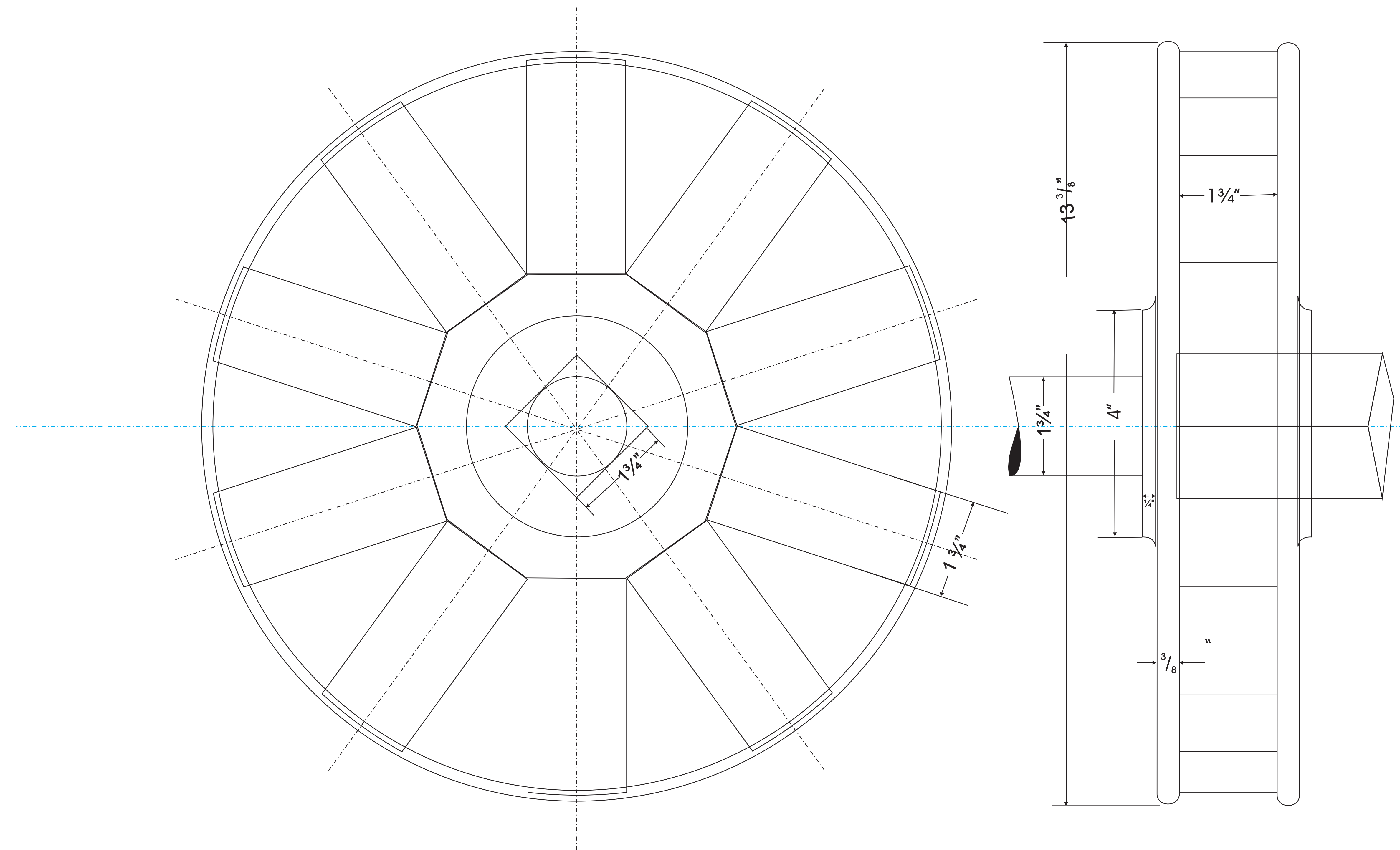
Dec 16/93
Forge
C.E.N.

Six of these



Converted to Vector from a Raster scan by Bob Hill January 2006

Brass Hub for Steering Wheel
Full Size

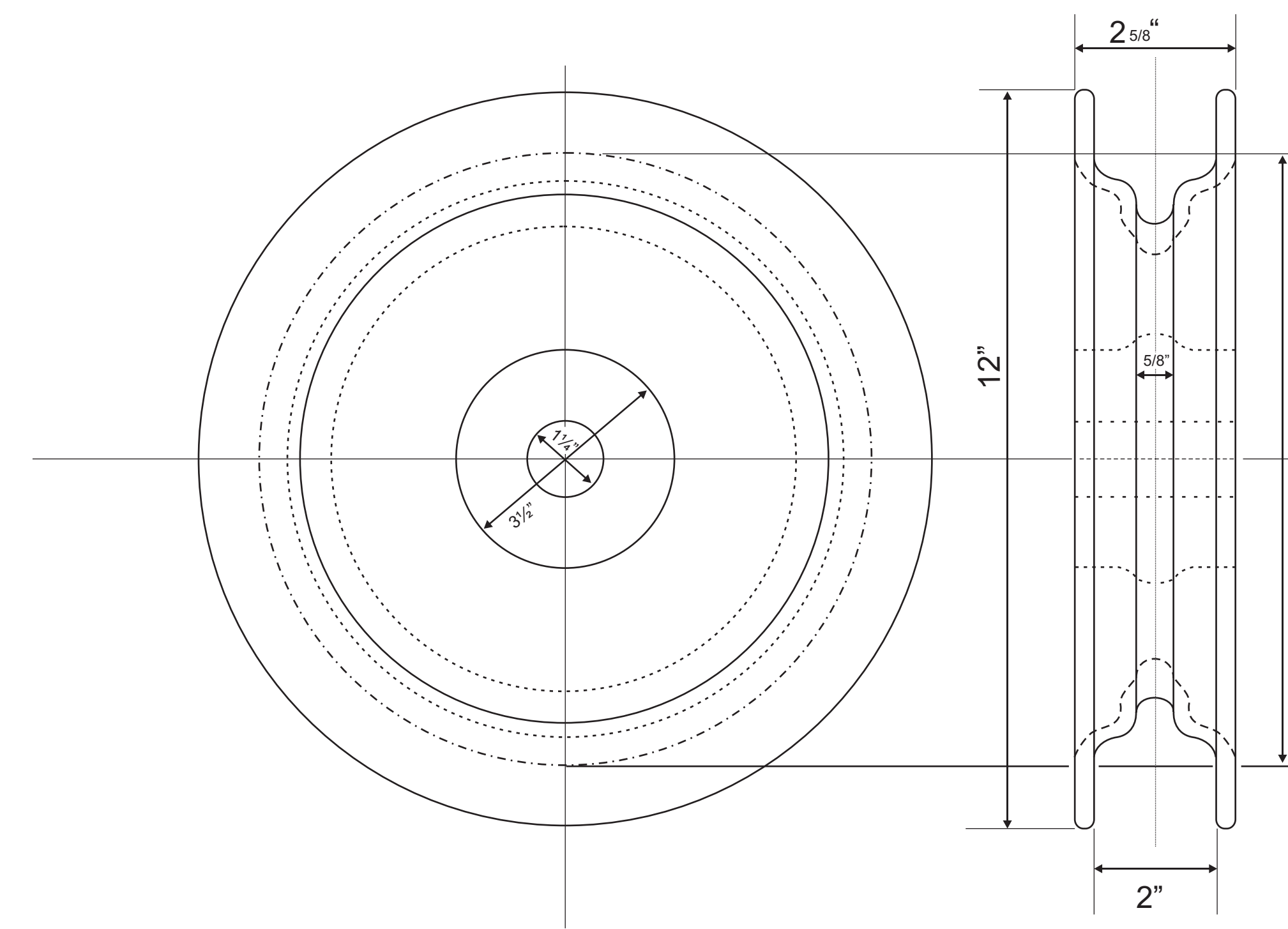


Converted to Vector from a Raster scan by Bob Hill January 2006

1/2 Chain Sheave

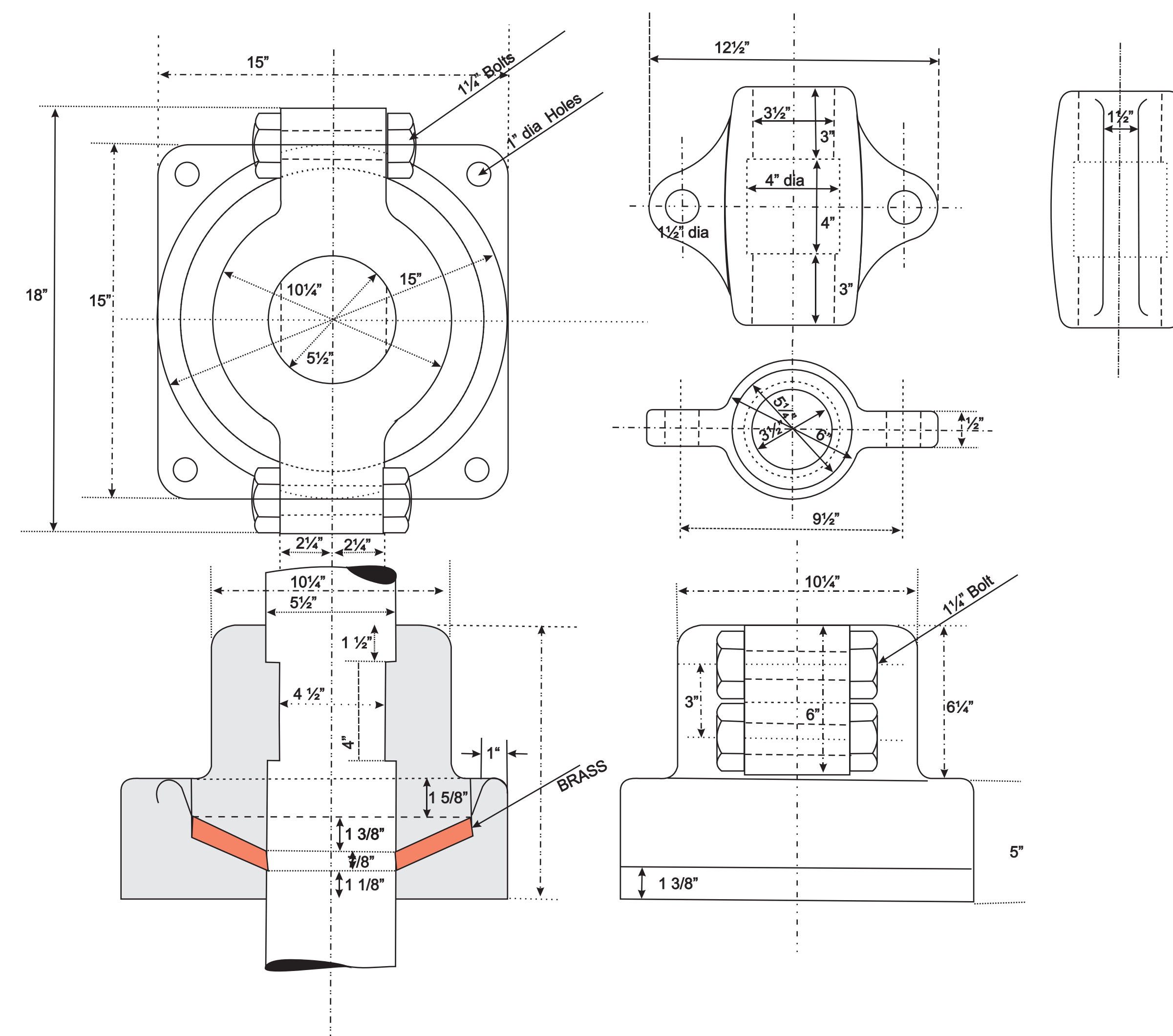
Scale 6" = 1'

8 of these



RUDDER BEARING Cast Steel Sleeve

Scale 3" = 1 ft



Converted to Vector from a Raster scan by Bob Hill January 2006

Wild-Cat for 1/2" chain for Steering Gear

Scale is HALF SIZE

